

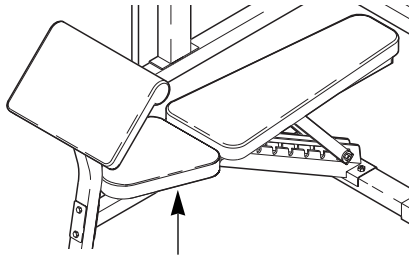
IMAGE[®] 4.8

LIMITED EDITION

Model No. IMBE53990

Serial No. _____

Write the serial number in the space above for reference.



Serial Number Decal (under seat)

USER'S MANUAL

QUESTIONS?

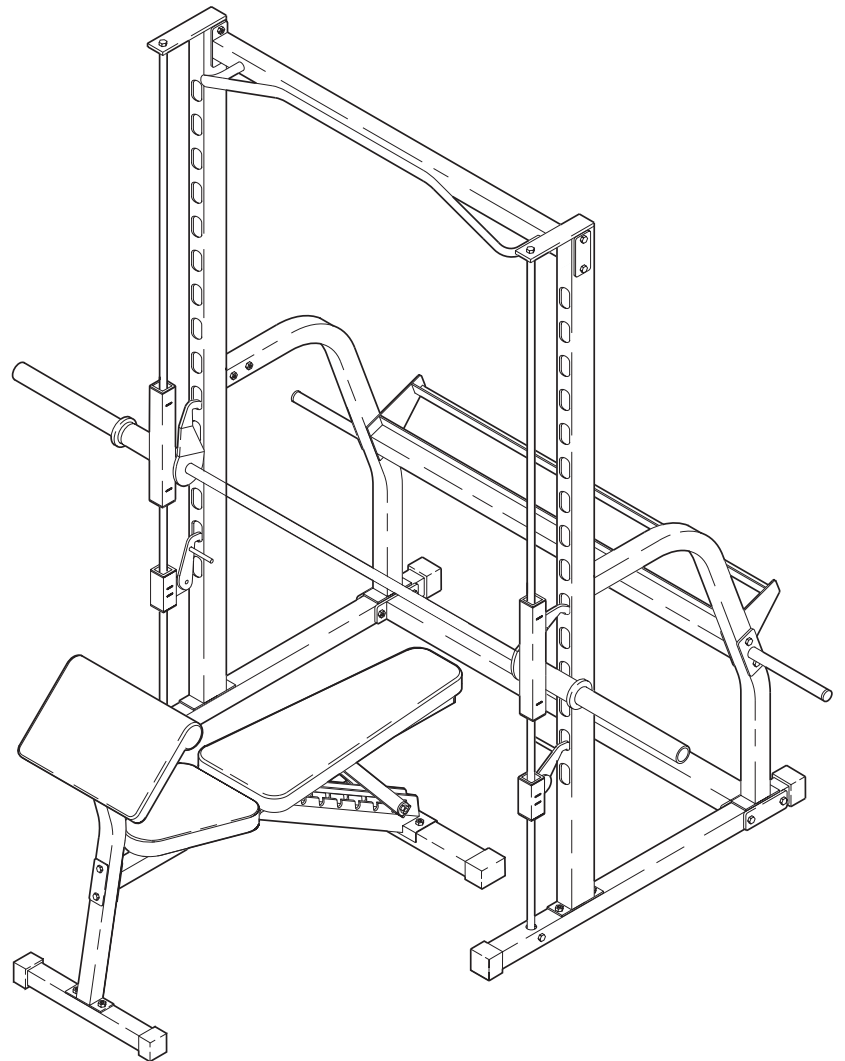
As a manufacturer, we are committed to providing complete customer satisfaction. If you have questions, or find that there are missing or damaged parts, we will guarantee you complete satisfaction through direct assistance from our factory.

TO AVOID UNNECESSARY DELAYS, PLEASE CALL DIRECT TO OUR TOLL-FREE CUSTOMER HOT LINE. The trained technicians on our customer hot line will provide immediate assistance, free of charge to you.

CUSTOMER HOT LINE:

1-800-999-3756

Mon.-Fri., 6 a.m.-6 p.m. MST



CAUTION

Read all precautions and instructions in this manual before using this equipment. Save this manual for future reference.



Visit our website at

www.imagefitness.com

new products, prizes,
fitness tips, and much more!

Table of Contents

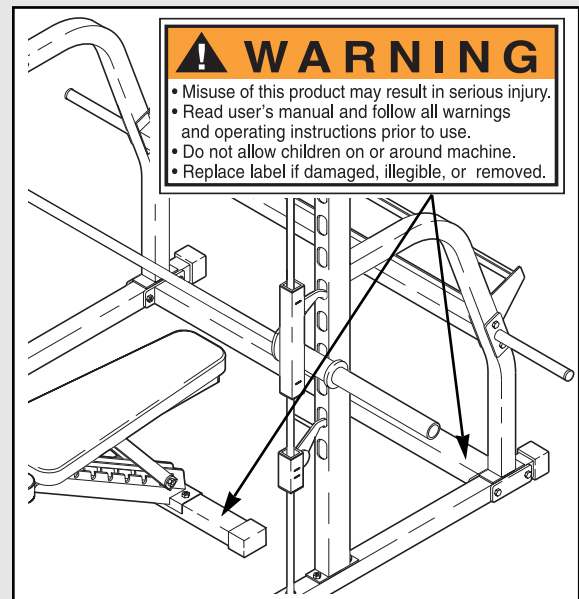
Important Precautions	3
Before You Begin	4
Part Identification Chart	5
Assembly	6
Adjusting the Weight Bench	14
Ordering Replacement Parts	Back Cover
Limited Warranty	Back Cover

Note: A Part List/Exploded Drawing is attached in the center of this manual. Remove the Part List/Exploded Drawing before beginning assembly.

Important Precautions

WARNING: To reduce the risk of serious injury, read the following important precautions before using the weight bench.

1. Read all instructions in this manual before using the weight bench. Use the weight bench only as described in this manual.
2. It is the responsibility of the owner to ensure that all users of the weight bench are adequately informed of all precautions.
3. The weight bench is intended for home use only. Do not use the weight bench in a commercial, rental or institutional setting.
4. Use the weight bench only on a level surface. Cover the floor beneath the weight bench for protection.
5. Inspect and tighten all parts each time you use the weight bench. Replace any worn parts immediately.
6. Keep children under 12 and pets away from the weight bench at all times.
7. Keep hands and feet away from moving parts.
8. Always wear athletic shoes for foot protection while exercising.
9. Always make sure there is an equal amount of weight (not included) on each side of the barbell.
10. If you feel pain or dizziness at any time while exercising, stop immediately and begin cooling down.
11. The weight bench is designed to support a maximum of 560 pounds, including the user, a barbell and weights (not included). Do not place more than 310 pounds, including the barbell, on the weight gliders and safety spotters.
12. Always set both safety spotters at the same height.
13. Always secure your weights (not included) with weight clips when they are mounted on the barbell.
14. Always move the bench out of the way when performing an exercise that does not use the bench.
15. The decals shown below have been placed on the weight bench. If a decal is missing or illegible, please call our Customer Service Department toll-free at 1-800-999-3756, Monday through Friday, 6 a.m. until 6 p.m. Mountain Time, to order a free replacement decal. Apply the decal in the location shown.



WARNING: Before beginning this or any exercise program, consult your physician. This is especially important for persons over the age of 35 or persons with pre-existing health problems. Read all instructions before using. ICON assumes no responsibility for personal injury or property damage sustained by or through the use of this product.

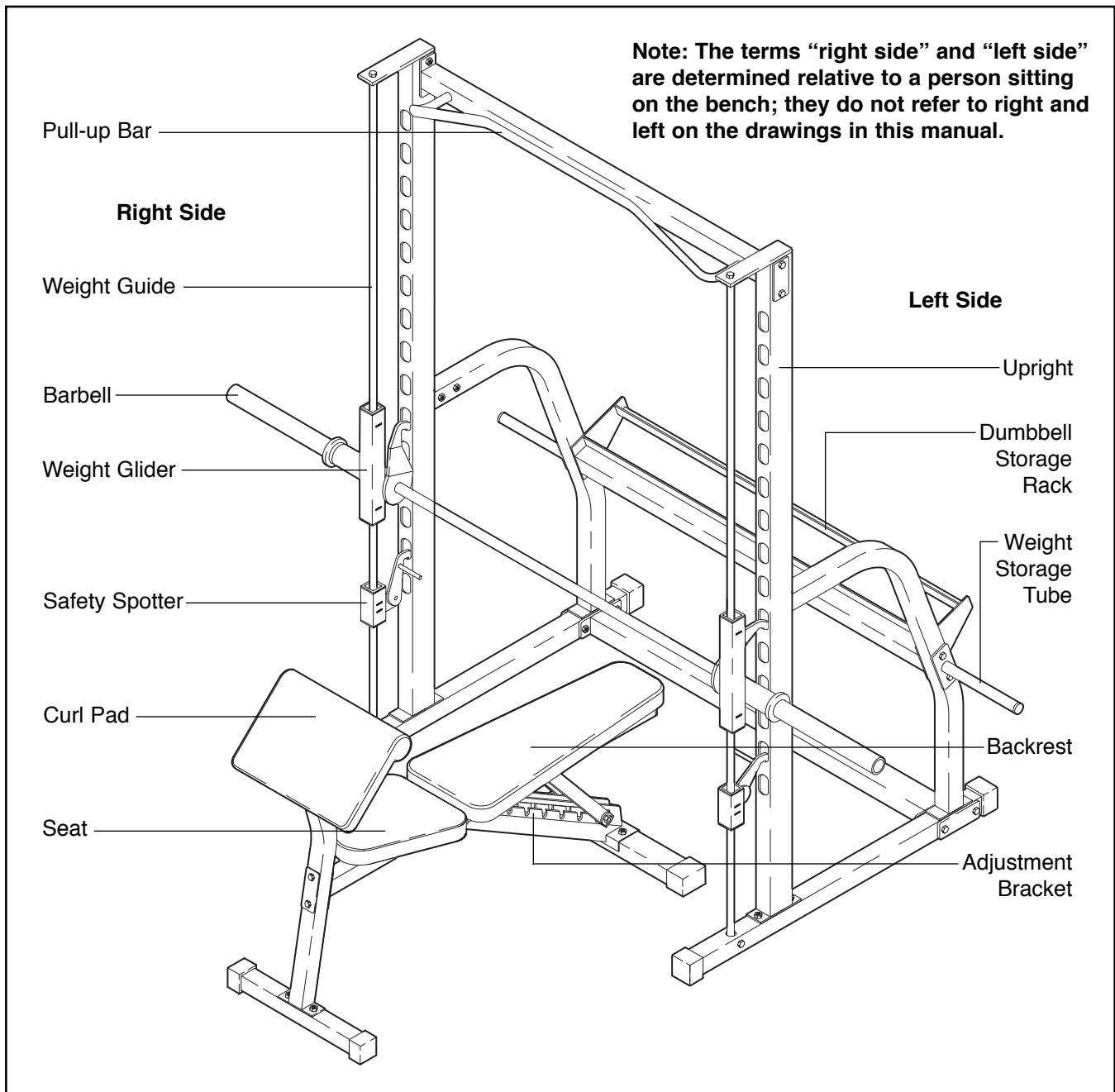
Before You Begin

Thank you for selecting the versatile IMAGE® 4.8 weight bench. The IMAGE® 4.8 is designed to help you develop every major muscle group of the body. Whether your goal is a shapely figure, dramatic muscle size and strength, or a healthier cardiovascular system, the IMAGE® 4.8 will help you achieve the specific results you want.

For your benefit, read this manual carefully before using the IMAGE® 4.8 weight bench. If you have additional questions, please call our Customer Service

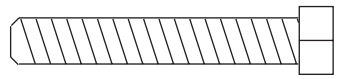
Department toll-free at 1-800-999-3756, Monday through Friday, 6 a.m. until 6 p.m. Mountain Time (excluding holidays). To help us assist you, please note the product model number and serial number before calling. The model number is IMBE53990. The serial number can be found on a decal attached to the IMAGE® 4.8 (see the front cover of this manual).

Before reading further, please review the drawing below and familiarize yourself with the parts that are labeled.

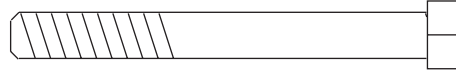


Part Identification Chart—Model No. IMBE53990

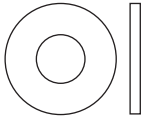
R1299A



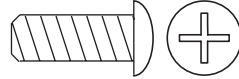
M6 x 38mm Bolt (60)—1



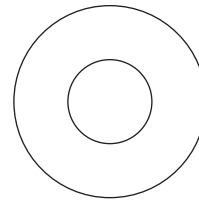
M6 x 55mm Bolt (4)—4



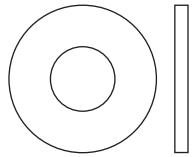
M6 Washer (30)—5



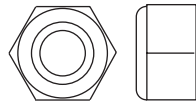
M6 x 16mm Screw (3)—4



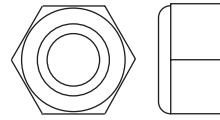
M10 Washer (6)—14



M8 Washer (52)—10



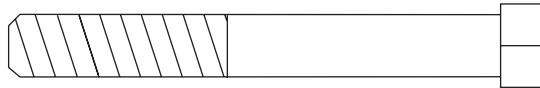
M8 Nylon Locknut (54)—13



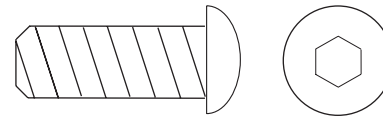
M10 Nylon Locknut (11)—26



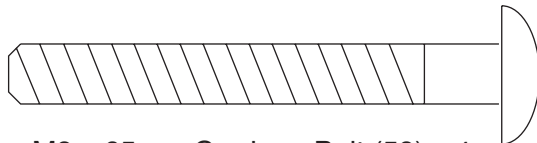
M8 x 80mm Bolt (63)—1



M8 x 70mm Bolt (41)—4



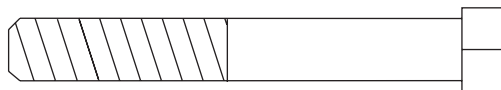
M10 x 25mm Bolt (43)—2



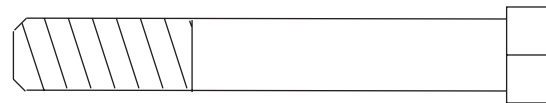
M8 x 65mm Carriage Bolt (59)—4



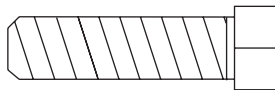
M10 x 65mm Carriage Bolt (40)—8



M8 x 60mm Bolt (39)—2



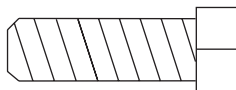
M10 x 65mm Bolt (42)—4



M8 x 30mm Bolt (38)—2



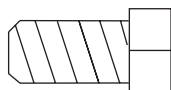
M10 x 70mm Bolt (46)—10



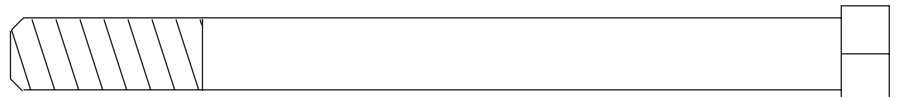
M8 x 25mm Bolt (53)—2



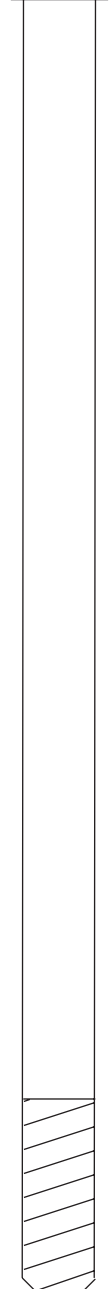
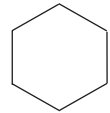
M10 x 80mm Bolt (56)—1



M8 x 16mm Bolt (50)—2



M10 x 115mm Bolt (55)—1



M10 x 180mm Bolt (22)—2

Assembly


Before beginning assembly, carefully read the following information and instructions:





Make Things Easier for Yourself!

This manual is designed to ensure that the weight bench can be assembled successfully by anyone. By setting aside plenty of time, and by deciding to make the task enjoyable, assembly will go smoothly.

- Assembly requires two people.
- Place all parts in a cleared area and remove the packing materials. Do not dispose of the packing materials until assembly is completed.
- Tighten all parts as you assemble them, unless instructed to do otherwise.
- For help identifying small parts, use the PART IDENTIFICATION CHART on page 5. **Note: Some small parts may be pre-assembled.**

- As you assemble the weight bench, make sure all parts are oriented as shown in the drawings.

In addition to the included allen wrench , assembly requires the following tools (not included):

- **Two (2) adjustable wrenches** 
- **One (1) rubber mallet** 
- **One (1) standard screwdriver** 
- **One (1) phillips screwdriver** 
- **Lubricant, such as grease or petroleum jelly, and soapy water.**

Assembly will be more convenient if you have the following tools: A socket set, a set of open-end or closed-end wrenches or a set of ratchet wrenches.

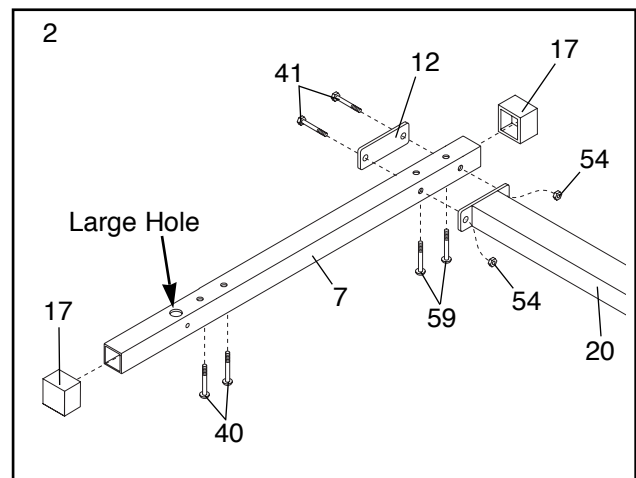
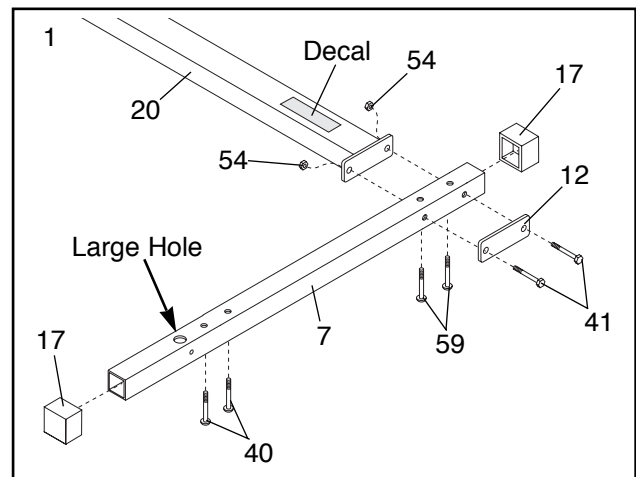
1. **Before beginning, make sure that you understand the information in the box above. Note: Some parts described in the assembly steps may be pre-assembled.**

Press a 50mm Square Outer Cap (17) onto each end of a Base (7). Turn the Base so the large hole is in the position shown. Insert two M8 x 65mm Carriage Bolts (59) and two M10 x 65mm Carriage Bolts (40) up into the indicated holes in the Base. Place the Base flat on the floor.

Turn the Base Crossbar (20) so the warning decal is on top. Attach the Base (7) to the Base Crossbar with two M8 x 70mm Bolts (41), a Large Support Plate (12), and two M8 Nylon Locknuts (54). **Do not tighten the Nylon Locknuts yet.**

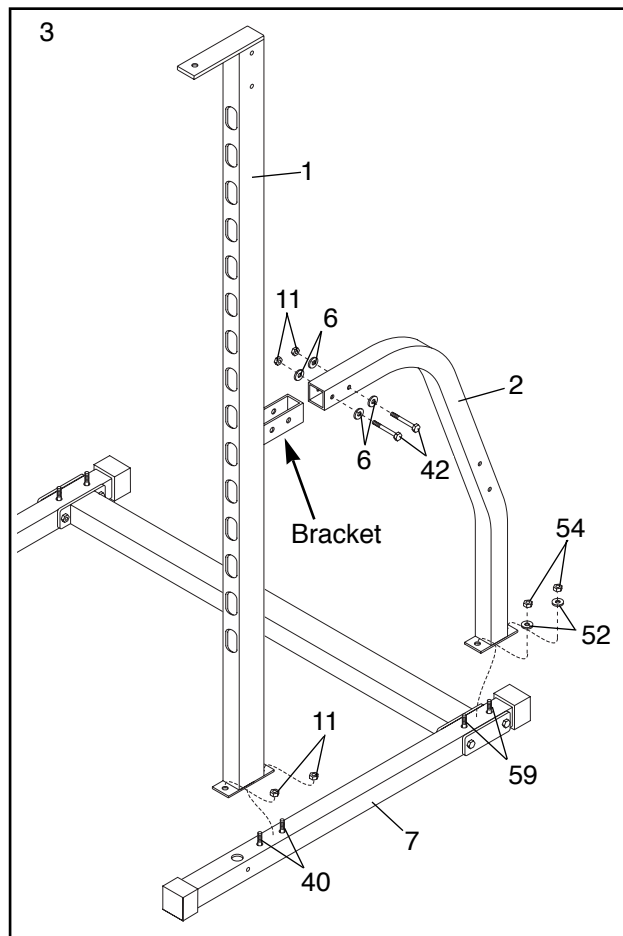
2. Press a 50mm Square Outer Cap (17) onto each end of the other Base (7). Turn the Base so the large hole is in the position shown. Insert two M8 x 65mm Carriage Bolts (59) and two M10 x 65mm Carriage Bolts (40) up into the indicated holes in the Base. Place the Base flat on the floor.

Attach the Base (7) to the Base Crossbar (20) with two M8 x 70mm Bolts (41), a Large Support Plate (12), and two M8 Nylon Locknuts (54). **Do not tighten the Nylon Locknuts yet.**



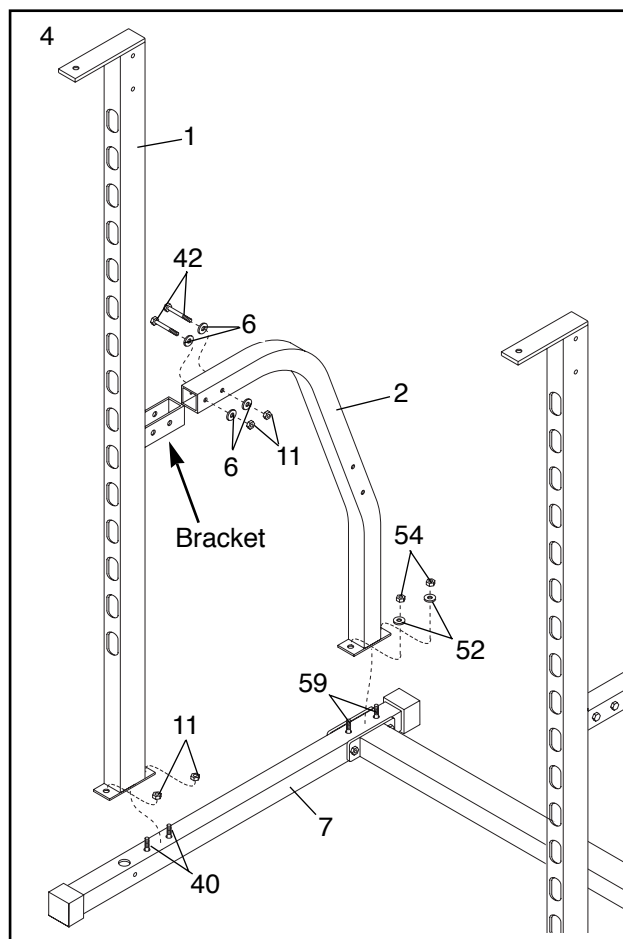
3. Slide a Brace (2) onto the bracket on one of the Uprights (1). Attach the Brace to the Upright with two M10 x 65mm Bolts (42), four M10 Washers (6), and two M10 Nylon Locknuts (11). **Do not tighten the Nylon Locknuts yet.**

Slide the Upright (1) and the Brace (2) onto the M10 x 65mm Carriage Bolts (40) and the M8 x 65mm Carriage Bolts (59) in the left Base (7). Attach the Upright with two M10 Nylon Locknuts (11). Attach the Brace with two M8 Washers (52) and two M8 Nylon Locknuts (54). **Do not tighten the Nylon Locknuts yet.**



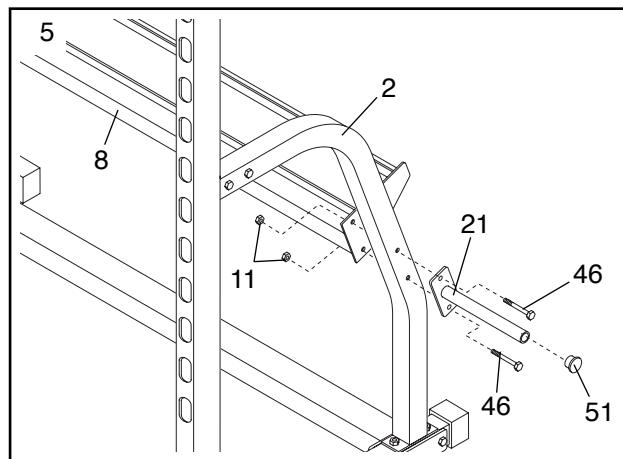
4. Slide the remaining Brace (2) onto the bracket on the other Upright (1). Attach the Brace to the Upright with two M10 x 65mm Bolts (42), four M10 Washers (6), and two M10 Nylon Locknuts (11). **Do not tighten the Nylon Locknuts yet.**

Slide the Upright (1) and the Brace (2) onto the M10 x 65mm Carriage Bolts (40) and the M8 x 65mm Carriage Bolts (59) in the right Base (7). Attach the Upright with two M10 Nylon Locknuts (11). Attach the Brace with two M8 Washers (52) and two M8 Nylon Locknuts (54). **Do not tighten the Nylon Locknuts yet.**



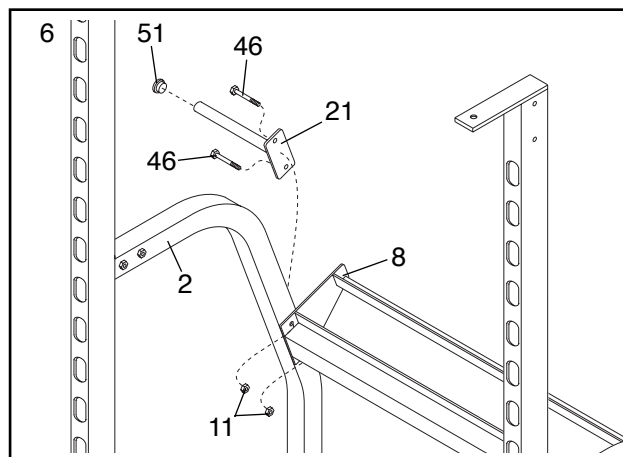
5. Press a 25mm Round Inner Cap (51) into the end of a Weight Storage Tube (21).

While a second person holds the Middle Crossbar (8) in the position shown, insert two M10 x 70mm Bolts (46) through the bracket on the Weight Storage Tube (21), the left Brace (2), and the bracket on the Middle Crossbar (8). Thread an M10 Nylon Locknut (11) onto each Bolt. **Do not tighten the Nylon Locknuts yet.**



6. Press a 25mm Round Inner Cap (51) into the end of the other Weight Storage Tube (21).

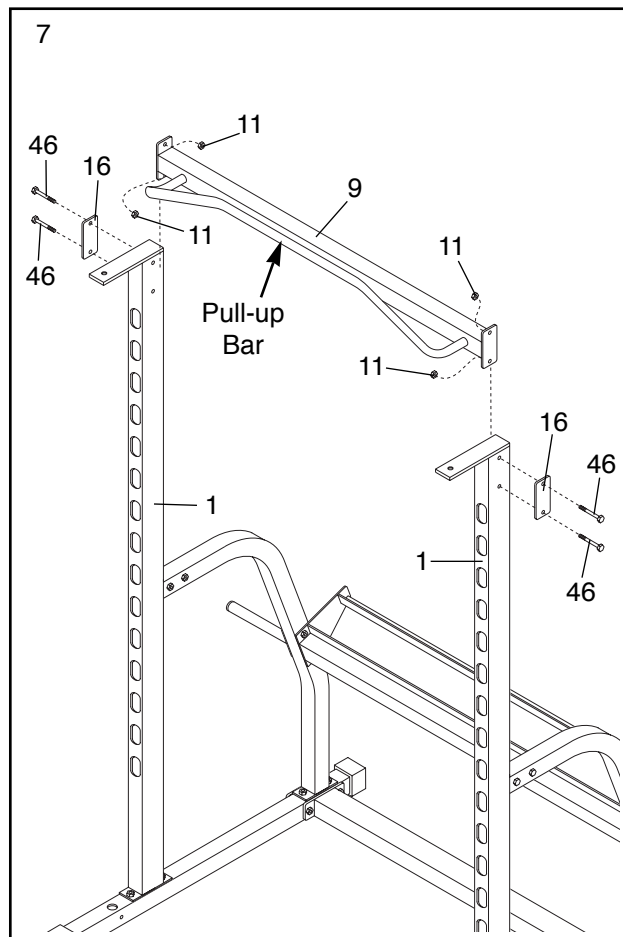
While a second person continues to hold the Middle Crossbar (8), insert two M10 x 70mm Bolts (46) through the bracket on the Weight Storage Tube (21), the right Brace (2), and the bracket on the Middle Crossbar (8). Thread an M10 Nylon Locknut (11) onto each Bolt. **Do not tighten the Nylon Locknuts yet.**



7. Have a second person hold the Top Crossbar (9) in the position shown.

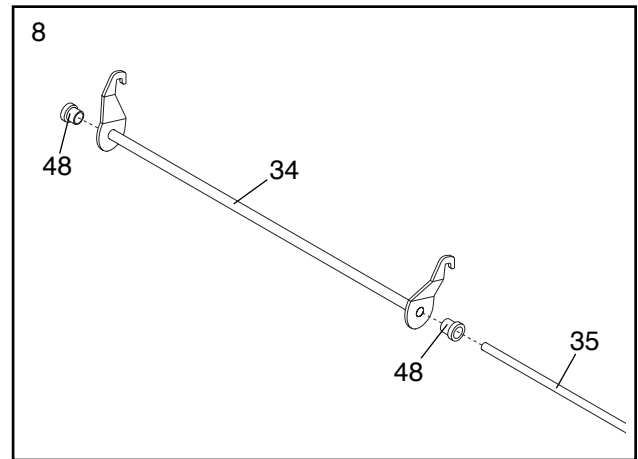
Attach the Top Crossbar (9) to the left Upright (1) with two M10 x 70mm Bolts (46), a Small Support Plate (16), and two M10 Nylon Locknuts (11). **Do not tighten the Nylon Locknuts yet.**

Attach the Top Crossbar (9) to the right Upright (1) with two M10 x 70mm Bolts (46), a Small Support Plate (16), and two M10 Nylon Locknuts (11). **Do not tighten the Nylon Locknuts yet.**



- Press a 25mm Bushing (48) into each end of the Locking Bar (34).

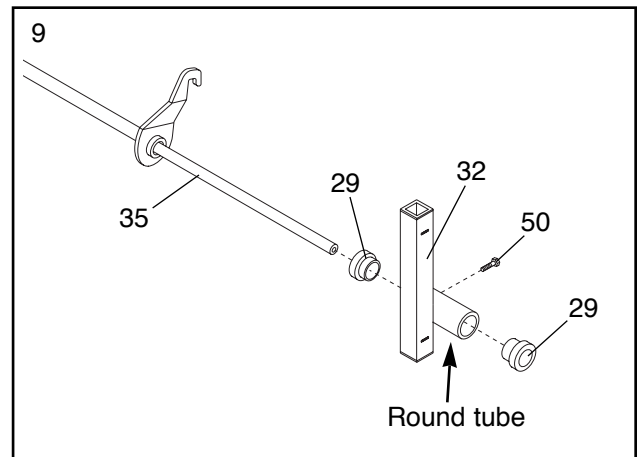
Insert the Barbell (35) through the Locking Bar (34) until the Barbell is centered in the Locking Bar.



- Identify the Left Weight Glider (32) by looking at the position of the round tube.

Press a 38mm Bushing (29) into each end of the round tube on the Left Weight Glider (32).

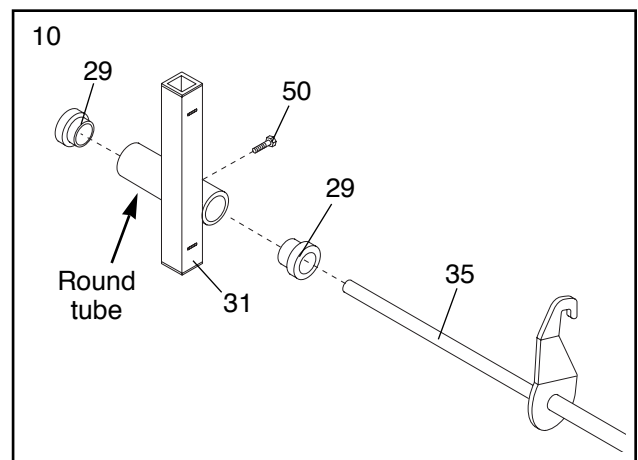
Slide the Left Weight Glider (32) onto the left end of the Barbell (35). Secure the Weight Glider to the Barbell with a hand-tightened M8 x 16mm Screw (50). **Look at the drawing on page 4 to make sure that you have correctly identified the left end. The Left Weight Glider must be turned as shown in the drawing.**



- Identify the Right Weight Glider (31) by looking at the position of the round tube.

Press a 38mm Bushing (29) into each end of the welded tube on the Right Weight Glider (31).

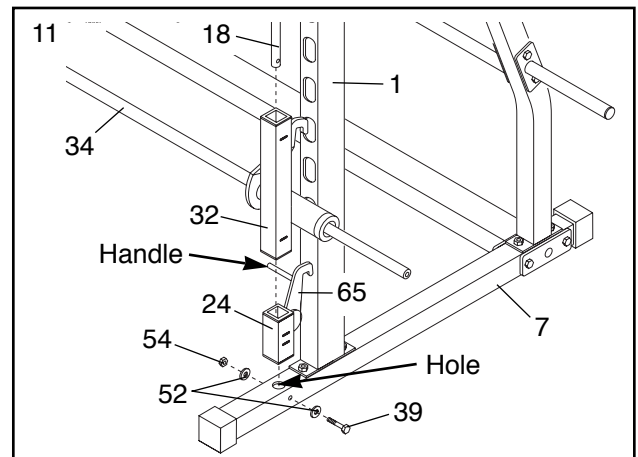
Slide the Right Weight Glider (31) onto the right end of the Barbell (35). Secure the Weight Glider to the Barbell with a hand-tightened M8 x 16mm Screw (50). **Make sure that the Weight Glider is turned as shown in the drawing.**



- Identify the Left Safety Spotter (24) by the position of the handle and the Left Spotter Hook (65). Place the Left Safety Spotter on the left Base (7) so it is centered over the indicated hole.

Have a second person hold the Locking Bar (34) so that the Left Weight Glider (32) rests on top of the Left Safety Spotter (24). Insert a Weight Guide (18) into the Left Weight Glider, the Left Safety Spotter, and the hole in the Base (7). **Note: Tilt the Weight Guide away from the Upright (1) as you insert it.**

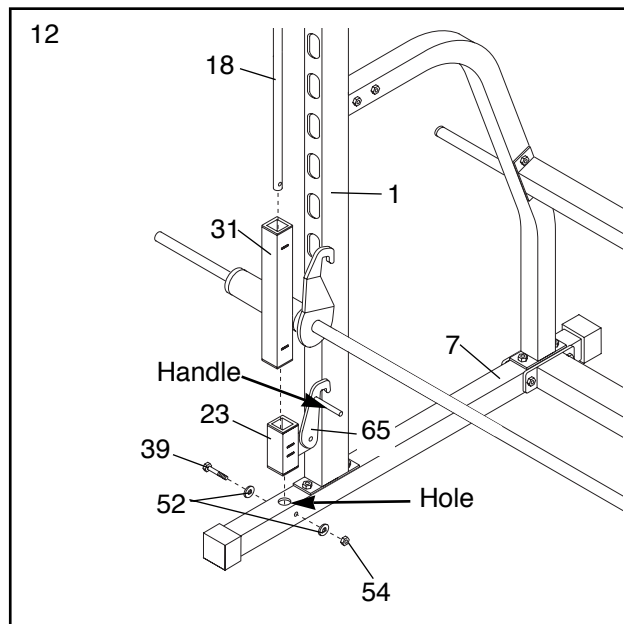
Attach the Weight Guide (18) to the Base (7) with an M8 x 60mm Bolt (39), two M8 Washers (52), and an M8 Nylon Locknut (54). **Do not tighten the Nylon Locknut yet.**



12. Place the Right Safety Spotter (23) on the right Base (7) and center it over the indicated hole. **Note: The handle must point toward the center of the bench.**

Have a second person hold the Locking Bar (34) so that the Right Weight Glider (31) rests on top of the Right Safety Spotter (23). Insert a Weight Guide (18) into the Right Weight Glider, the Right Safety Spotter, and the hole in the Base (7). **Note: Tilt the Weight Guide away from the Upright (1) as you insert it.**

Attach the Weight Guide (18) to the Base (7) with an M8 x 60mm Bolt (39), two M8 Washers (52), and an M8 Nylon Locknut (54). **Do not tighten the Nylon Locknut yet.**

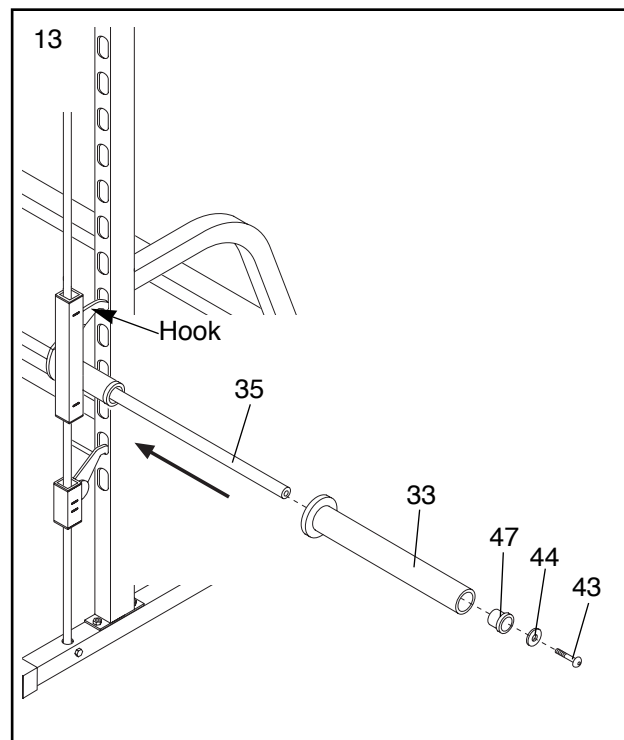


13. **Note: If you are not planning to use Olympic weights with the weight bench, you do not need to perform this step. Keep the two Weight Adapters (33) in a safe place in case you need them in the future.**

Fully engage the indicated hook on both sides of the weight bench before beginning this step.

Insert a 50mm Bushing (47) into the end of a Weight Adapter (33). With a second person holding the Barbell (35) so that it cannot turn, use the allen wrench to secure the Weight Adapter to the Barbell with a Large Washer (44) and an M10 x 25mm Bolt (43). **Note: The Large Washer must fit into the indentation in the 50mm Bushing (47) in the Weight Adapter.**

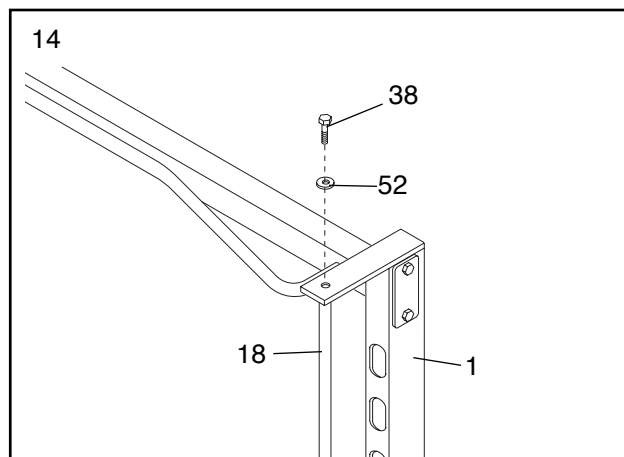
Pull the remaining length of the Barbell (35) in the direction shown. **Next, tighten the M8 x 16mm Screws used in steps 9 and 10.** Attach the other Weight Adapter (33) to the other end of the Barbell (35) in the same manner.



14. Attach the upper end of one of the Weight Guides (18) to the bracket on the Upright (1) with an M8 x 30mm Bolt (38) and an M8 Washer (52).

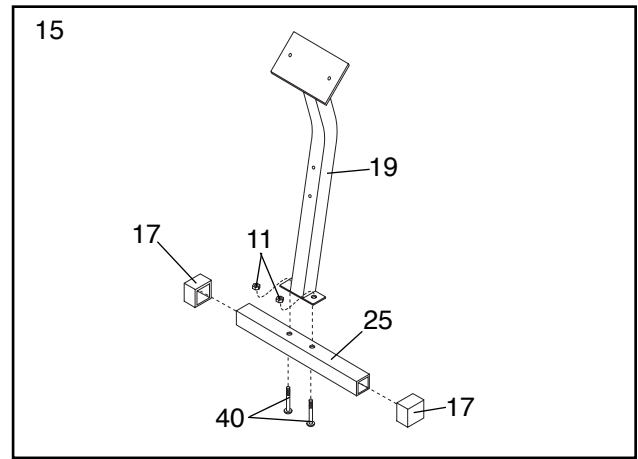
Attach the other Weight Guide (18) to the other Upright (1) in the same manner.

Tighten all of the Nylon Locknuts used in steps 1 to 14.



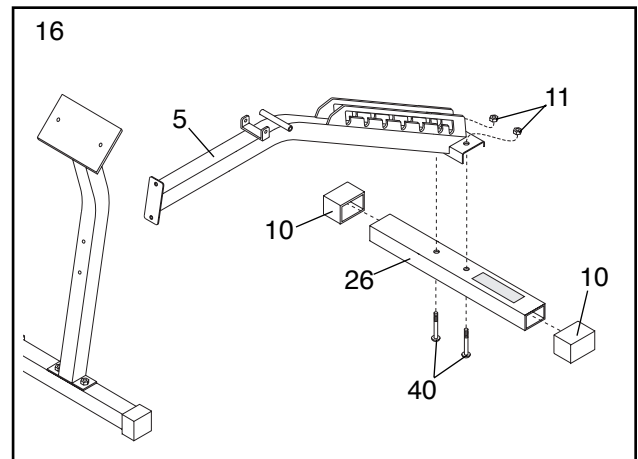
15. Press a 50mm Square Outer Cap (17) onto each end of the Small Stabilizer (25).

Attach the Small Stabilizer (25) to the Front Leg (19) with two M10 x 65mm Carriage Bolts (40) and two M10 Nylon Locknuts (11). **Note: There is an indentation around the holes on one side of the Small Stabilizer. This side must be facing the floor.**

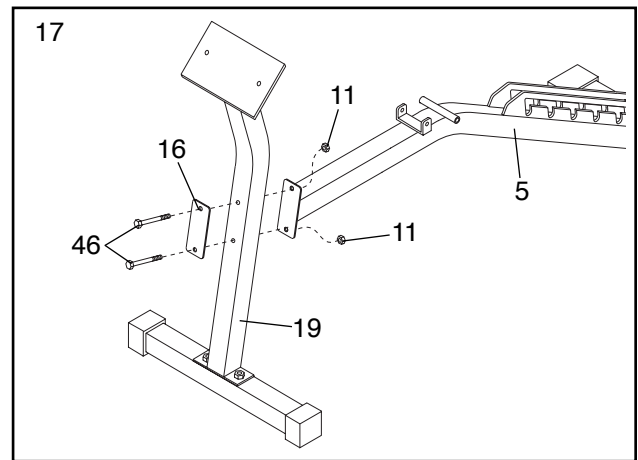


16. Press a 50mm x 70mm Outer Cap (10) onto each end of the Large Stabilizer (26).

Turn the Large Stabilizer (26) so the warning decal is in the position shown. Attach the Large Stabilizer (26) to the Bench Frame (5) with two M10 x 65mm Carriage Bolts (40) and two M10 Nylon Locknuts (11). **Note: There is an indentation around the holes on one side of the Large Stabilizer. This side must be facing the floor.**

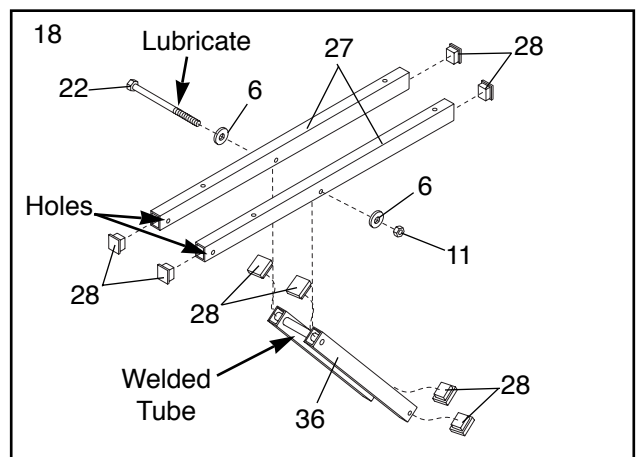


17. Attach the Front Leg (19) to the Bench Frame (5) with two M10 x 70mm Bolts (46), a Small Support Plate (16), and two M10 Nylon Locknuts (11).



18. Press two 20mm x 40mm Inner Caps (28) into each Backrest Tube (27). Press four 20mm x 40mm Inner Caps into the Backrest Adjustment Bracket (36).

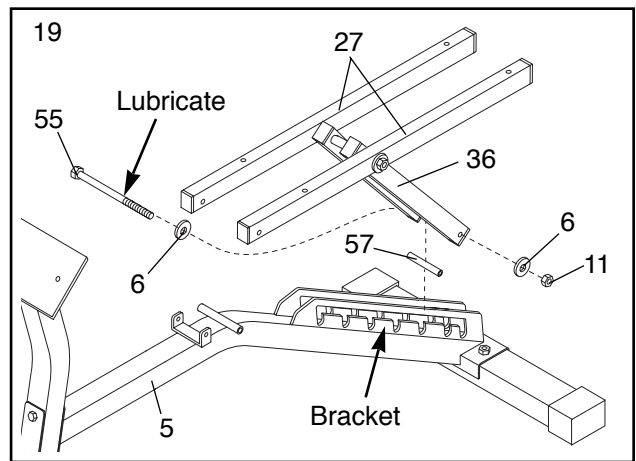
Lubricate an M10 x 180mm Bolt (22). Attach the Backrest Tubes (27) to the welded tube on the Backrest Adjustment Bracket (36) with the Bolt, two M10 Washers (6), and an M10 Nylon Locknut (11). **Make sure that the Backrest Tubes are turned as shown. The indicated holes are not centered in the Backrest Tubes but are closer to one side. Turn the Backrest Tubes so the holes are closer to the floor. Do not overtighten the Nylon Locknut; the Backrest Tubes must pivot easily.**



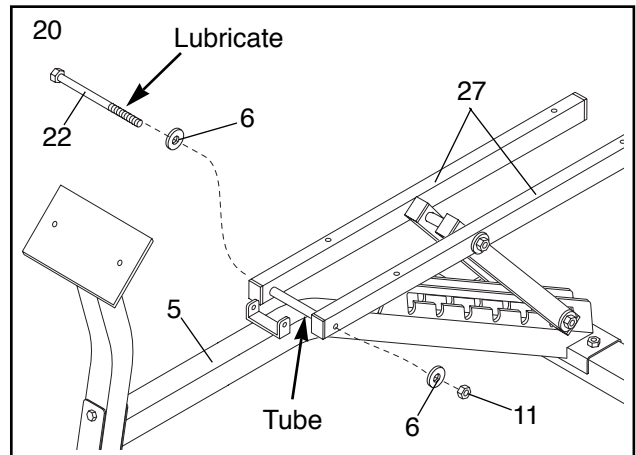
19. Attach the Backrest Adjustment Bracket (36) to the bracket on the Bench Frame (5) in the following way:

Lubricate an M10 x 115mm Bolt (55). Slide an M10 Washer (6) onto the Bolt and insert the Bolt through the indicated tube of the Backrest Adjustment Bracket (36).

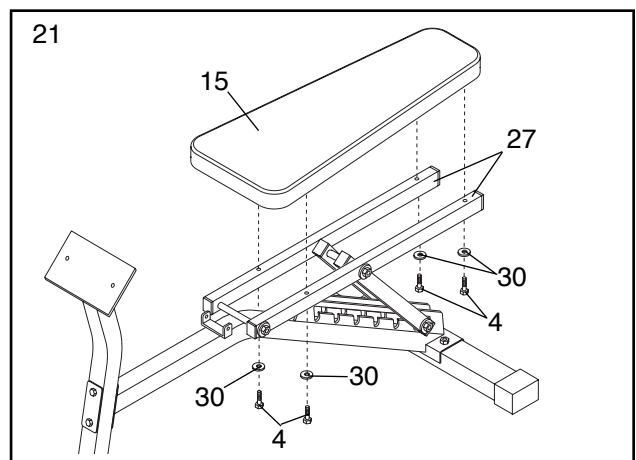
Hold the Backrest Adjustment Bracket (36) over the bracket on the Bench Frame (5). Insert the M10 x 115mm Bolt (55) through one side of the bracket. Slide the 15mm x 10.2mm x 60mm Spacer (57) onto the Bolt. Next, insert the Bolt through the other side of the bracket and the other tube of the Backrest Adjustment Bracket. Secure the Bolt with an M10 Washer (6) and an M10 Nylon Locknut (11). **Do not overtighten the Nylon Locknut.**



20. Lubricate an M10 x 180mm Bolt (22). Attach the Backrest Tubes (27) to the indicated tube on the Bench Frame (5) with the Bolt, two M10 Washers (6), and an M10 Nylon Locknut (11). **Note: Do not overtighten the Nylon Locknut; the Backrest Tubes must pivot easily.**

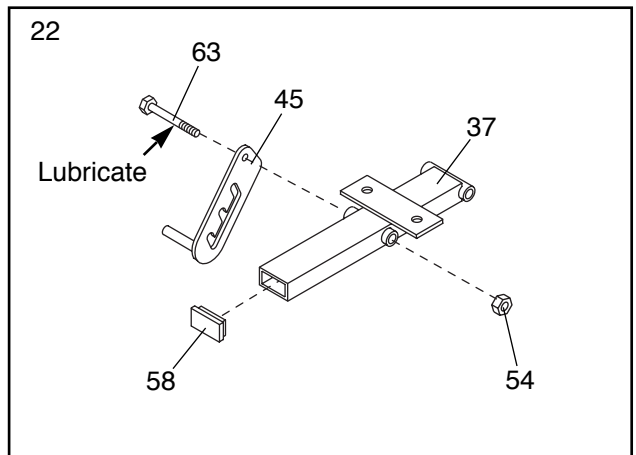


21. Attach the Backrest (15) to the Backrest Tubes (27) with four M6 x 55mm Bolts (4) and four M6 Washers (30).



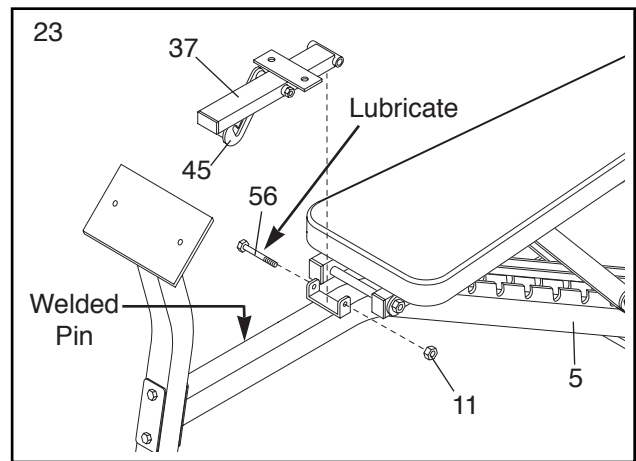
22. Press a 25mm x 50mm Inner Cap (58) into the open end of the Seat Support Tube (37).

Lubricate an M8 x 80mm Bolt (63). Attach the Seat Adjustment Bracket (45) to the indicated side of the Seat Support Tube (37) with the Bolt and an M8 Nylon Locknut (54). **Note: Do not overtighten the Nylon Locknut; the Seat Adjustment Bracket must pivot easily.**



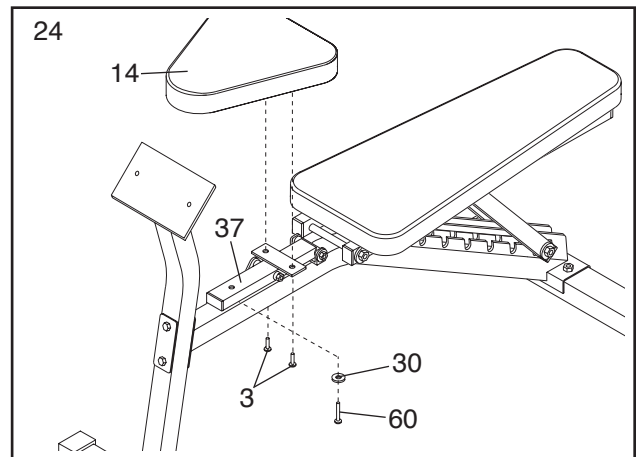
23. Place the Seat Support Tube (37) on the Bench Frame (5) so that the Seat Adjustment Bracket (45) fits over the welded pin (not visible in the drawing) on the side of the Bench Frame.

Lubricate an M10 x 80mm Bolt (56). Attach the Seat Support Tube (37) to the indicated bracket on the Bench Frame (5) with the Bolt and an M10 Nylon Locknut (11). **Note: Do not overtighten the Nylon Locknut; the Seat Support Tube must pivot easily.**

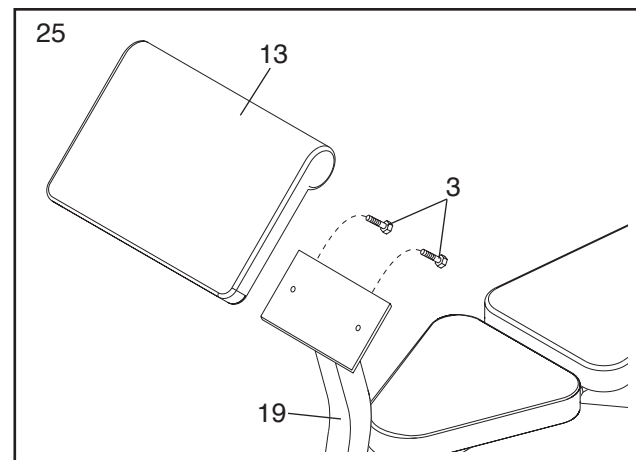


24. Turn the Seat (14) as shown. Attach the wide end of the Seat to the bracket on the Seat Support Tube (37) with two M6 x 16mm Screws (3).

Tilt the Seat Support Bracket (37) upwards and attach the narrow end of the Seat (14) to the Seat Support Bracket with an M6 x 38mm Bolt (60) and an M6 Washer (30).



25. Attach the Curl Pad (13) to the bracket on the Front Leg (19) with two M6 x 16mm Screws (3).



26. **Make sure all parts are properly tightened before you use the weight bench.** The use of all remaining parts will be explained in ADJUSTING THE WEIGHT BENCH starting on the following page.

Adjusting the Weight Bench

This section explains how the weight bench is adjusted. See the included exercise guide for important information about how to perform a variety of exercises and how to get the greatest benefit from your exercise program.

Inspect and tighten all parts each time you use the weight bench. Replace any worn parts immediately. The weight bench can be cleaned with a damp cloth and a mild, non-abrasive detergent. Do not use solvents.

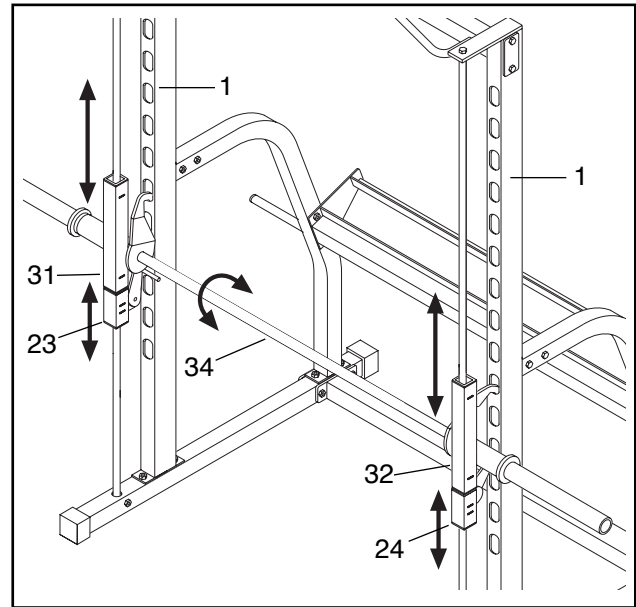
USING THE LOCKING BAR AND SAFETY SPOTTERS

Before starting an exercise, position the barbell and the Safety Spotters (23, 24) in the correct position for that exercise.

To do this, stand in front of the cage and grip the Locking Bar (34) with both hands. Turn the Locking Bar until the two hooks disengage the slots in the Uprights (1). Move the Locking Bar to a new position and turn the Locking Bar until the hooks engage the slots in the Uprights.

Note: Always start an exercise with the barbell positioned at the lowest point to which it will move during the exercise.

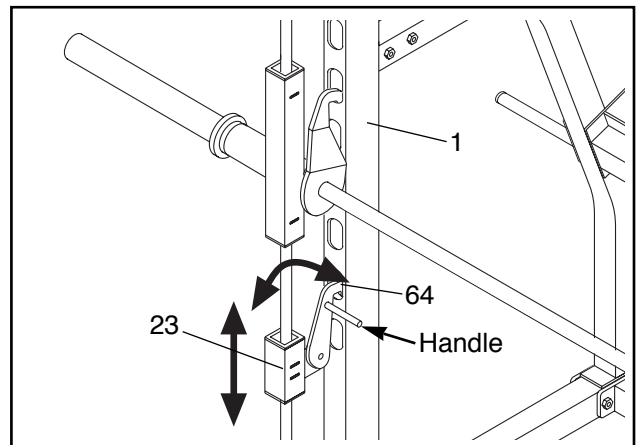
Position both Safety Spotters (23, 24) directly under the Weight Gliders (31, 32).



USING THE SAFETY SPOTTERS

To move a Safety Spotter (23, 24) to a new position, grip the handle on one side of the Spotter Hook (64, 65 [not shown]) and pull the Spotter Hook out of the slot in the Upright (1). Raise or lower the Safety Spotter to a new position and turn the Spotter Hook until it engages one of the slots in the Upright.

WARNING: Always set both safety spotters at the same height.

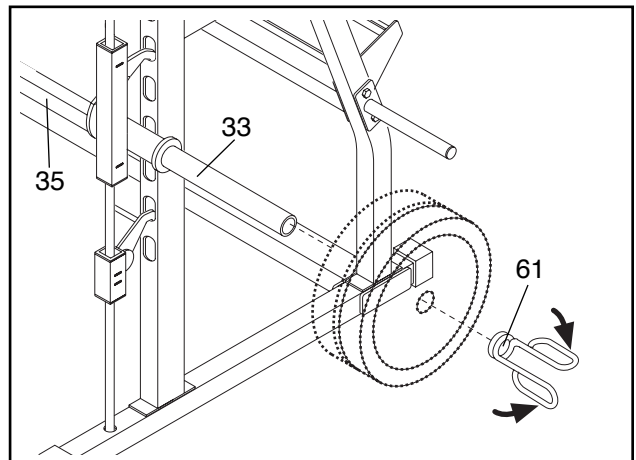


ATTACHING WEIGHTS TO THE BARBELL

To use the Barbell (35), slide the desired amount of weight (not included) onto each end of the Barbell. Secure the weights with the Large Weight Clips (61).

Note: To use standard weights, the Weight Adapters (33) should be removed from the Barbell (35). Attach weights to the Barbell with the Small Weight Clips (not shown).

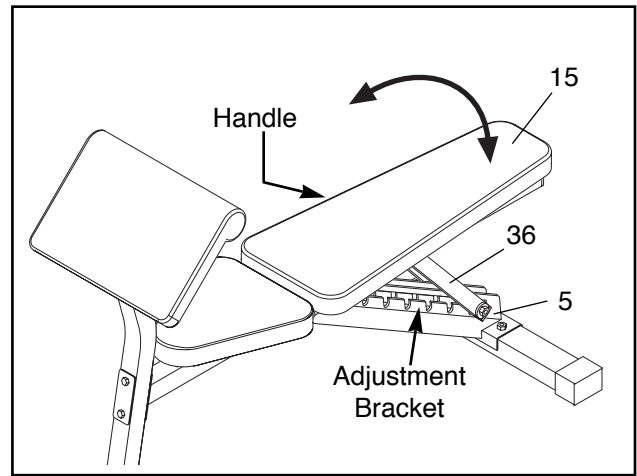
WARNING: Do not place more than 260 pounds on the barbell. Always secure the weights with weight clips when they are on the barbell. Always place the same amount of weight on each side of the barbell.



ADJUSTING THE BACKREST

To raise the Backrest (15), grip the end of the Backrest with one hand and pull it upward. The Backrest Adjustment Frame (36) will automatically lock into one of the tabs on the bracket on the Bench Frame (5).

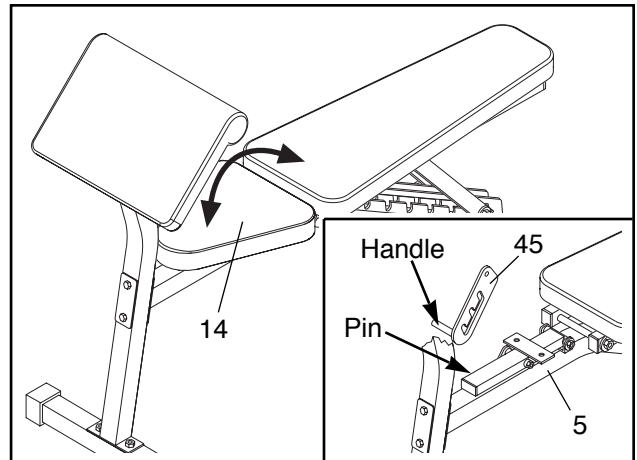
To lower the Backrest (15), grip the end of the Backrest with one hand and pull it slightly upwards. Grip the handle (not shown) on the right side of the Backrest Adjustment Frame (36) with your other hand and pull the Backrest Adjustment Frame free of the tabs on the bracket on the Bench Frame (5). Lower the Backrest to the desired position and lock the Backrest Adjustment Frame into the desired tab on the bracket on the Bench Frame.



ADJUSTING THE SEAT

To raise the Seat (14), lift the narrow end of the Seat until the appropriate tab on the Seat Adjustment Bracket (45) engages the welded pin (not shown) on the right side of the Bench Frame (5).

To lower the Seat (14), use the handle on the Seat Adjustment Bracket (45) to disengage the Seat Adjustment Bracket from the pin. Lower the Seat to the desired position and engage the appropriate tab on the Seat Adjustment Bracket to the pin.



Part List—Model No. IMBE53990

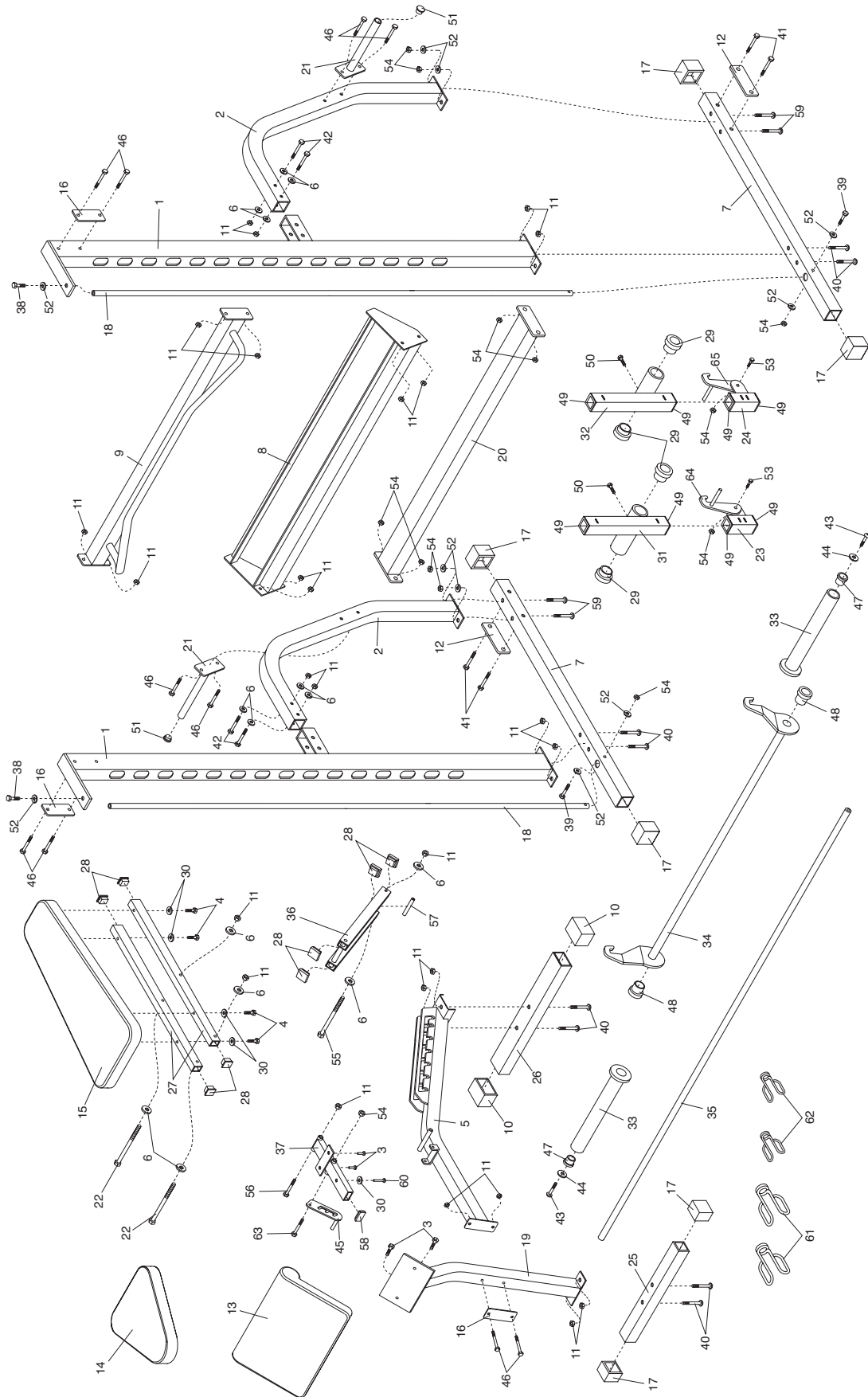
R1299A

Key No.	Qty.	Description	Key No.	Qty.	Description
1	2	Upright	35	1	Barbell
2	2	Brace	36	1	Backrest Adjustment Bracket
3	4	M6 x 16mm Screw	37	1	Seat Support Tube
4	4	M6 x 55mm Bolt	38	2	M8 x 30mm Bolt
5	1	Bench Frame	39	2	M8 x 60mm Bolt
6	14	M10 Washer	40	8	M10 x 65mm Carriage Bolt
7	2	Base	41	4	M8 x 70mm Bolt
8	1	Middle Crossbar	42	4	M10 x 65mm Bolt
9	1	Top Crossbar	43	2	M10 x 25mm Bolt
10	2	50mm x 70mm Outer Cap	44	2	Large Washer
11	26	M10 Nylon Locknut	45	1	Seat Adjustment Bracket
12	2	Large Support Plate	46	10	M10 x 70mm Bolt
13	1	Curl Pad	47	2	50mm Bushing
14	1	Seat	48	2	25mm Bushing
15	1	Backrest	49	8	45mm x 45mm Bushing
16	3	Small Support Plate	50	2	M8 x 16mm Bolt
17	6	50mm Square Outer Cap	51	2	25mm Round Inner Cap
18	2	Weight Guide	52	10	M8 Washer
19	1	Front Leg	53	2	M8 x 25mm Bolt
20	1	Base Crossbar	54	13	M8 Nylon Locknut
21	2	Weight Storage Tube	55	1	M10 x 115mm Bolt
22	2	M10 x 180mm Bolt	56	1	M10 x 80mm Bolt
23	1	Right Safety Spotter	57	1	15mm x 10.5 mm x 56mm Spacer
24	1	Left Safety Spotter	58	1	25mm x 50mm Inner Cap
25	1	Small Stabilizer	59	4	M8 x 65mm Carriage Bolt
26	1	Large Stabilizer	60	1	M6 x 38mm Bolt
27	2	Backrest Tube	61	2	Large Weight Clip
28	8	20mm x 40mm Inner Cap	62	2	Small Weight Clip
29	4	38mm Bushing	63	1	M8 x 80mm Bolt
30	5	M6 Washer	64	1	Right Spotter Hook
31	1	Right Weight Glider	65	1	Left Spotter Hook
32	1	Left Weight Glider	#	1	User's Manual
33	2	Weight Adapter	#	1	Exercise Guide
34	1	Locking Bar	#	1	6mm Allen Wrench

Note: “#” indicates a non-illustrated part. Specifications are subject to change without notice. See the back cover of the user's manual for information about ordering replacement parts.

Exploded Drawing—Model No. IMBE53990

R1299A



Ordering Replacement Parts

To order replacement parts, simply call our Customer Service Department toll-free at 1-800-999-3756, Monday through Friday, 6 a.m. until 6 p.m. Mountain Time (excluding holidays). To help us assist you, please be prepared to give the following information when calling:

- The MODEL NUMBER of the product (IMBE53990)
- The NAME of the product (IMAGE® 4.8 weight bench)
- The SERIAL NUMBER of the product (see the front cover of this manual)
- The KEY NUMBER and DESCRIPTION of the desired part(s) (see the PART LIST and the EXPLODED DRAWING at the center of this manual).

Limited Warranty

ICON Health & Fitness, Inc. (ICON), warrants this product to be free from defects in workmanship and material, under normal use and service conditions, for a period of ninety (90) days from the date of purchase. This warranty extends only to the original purchaser. ICON's obligation under this warranty is limited to replacing or repairing, at ICON's option, the product at one of its authorized service centers. All products for which warranty claim is made must be received by ICON at one of its authorized service centers with all freight and other transportation charges prepaid, accompanied by sufficient proof of purchase. All returns must be pre-authorized by ICON. This warranty does not extend to any product or damage to a product caused by or attributable to freight damage, abuse, misuse, improper or abnormal usage or repairs not provided by an ICON authorized service center, products used for commercial or rental purposes, or products used as store display models. No other warranty beyond that specifically set forth above is authorized by ICON.

ICON is not responsible or liable for indirect, special or consequential damages arising out of or in connection with the use or performance of the product or damages with respect to any economic loss, loss of property, loss of revenues or profits, loss of enjoyment or use, costs of removal, installation or other consequential damages of whatsoever nature. Some states do not allow the exclusion or limitation of incidental or consequential damages. Accordingly, the above limitation may not apply to you.

The warranty extended hereunder is in lieu of any and all other warranties and any implied warranties of merchantability or fitness for a particular purpose is limited in its scope and duration to the terms set forth herein. Some states do not allow limitations on how long an implied warranty lasts. Accordingly, the above limitation may not apply to you.

This warranty gives you specific legal rights. You may also have other rights which vary from state to state.

ICON HEALTH & FITNESS, INC., 1500 S. 1000 W., LOGAN, UT 84321-9813

IMAGE is a registered trademark of ICON Health & Fitness, Inc.